

# КАНАЛИЗАЦИОННЫЕ НАСОСЫ СЕРИИ QW/WQ



Архангельск (8182)63-90-72  
Астана (7172)727-132  
Астрахань (8512)99-46-04  
Барнаул (3852)73-04-60  
Белгород (4722)40-23-64  
Брянск (4832)59-03-52  
Владивосток (423)249-28-31  
Волгоград (844)278-03-48  
Вологда (8172)26-41-59  
Воронеж (473)204-51-73  
Екатеринбург (343)384-55-89  
Иваново (4932)77-34-06

Ижевск (3412)26-03-58  
Иркутск (395)279-98-46  
Казань (843)206-01-48  
Калининград (4012)72-03-81  
Калуга (4842)92-23-67  
Кемерово (3842)65-04-62  
Киров (8332)68-02-04  
Краснодар (861)203-40-90  
Красноярск (391)204-63-61  
Курск (4712)77-13-04  
Липецк (4742)52-20-81

Киргизия (996)312-96-26-47

Магнитогорск (3519)55-03-13  
Москва (495)268-04-70  
Мурманск (8152)59-64-93  
Набережные Челны (8552)20-53-41  
Нижний Новгород (831)429-08-12  
Новокузнецк (3843)20-46-81  
Новосибирск (383)227-86-73  
Омск (3812)21-46-40  
Орел (4862)44-53-42  
Оренбург (3532)37-68-04  
Пенза (8412)22-31-16

Россия (495)268-04-70

Пермь (342)205-81-47  
Ростов-на-Дону (863)308-18-15  
Рязань (4912)46-61-64  
Самара (846)206-03-16  
Санкт-Петербург (812)309-46-40  
Саратов (845)249-38-78  
Севастополь (8692)22-31-93  
Симферополь (3652)67-13-56  
Смоленск (4812)29-41-54  
Сочи (862)225-72-31  
Ставрополь (8652)20-65-13

Казахстан (772)734-952-31

Сургут (3462)77-98-35  
Тверь (4822)63-31-35  
Томск (3822)98-41-53  
Тула (4872)74-02-29  
Тюмень (3452)66-21-18  
Ульяновск (8422)24-23-59  
Уфа (347)229-48-12  
Хабаровск (4212)92-98-04  
Челябинск (351)202-03-61  
Череповец (8202)49-02-64  
Ярославль (4852)69-52-93

# КАНАЛИЗАЦИОННЫЕ НАСОСЫ СЕРИИ QW/WQ



## Introduction of WQ / QW submersible sewage pump

WQ / QW series submersible sewage pumps have new patented technology and design.

It is specifically designed for construction sites, municipal industries, public services and industrial wastewater treatment. According to needs, the pump can be equipped with various signal sensors to monitor the working status of the pump.

There are two installation methods for the pump: submersible installation and dry installation.

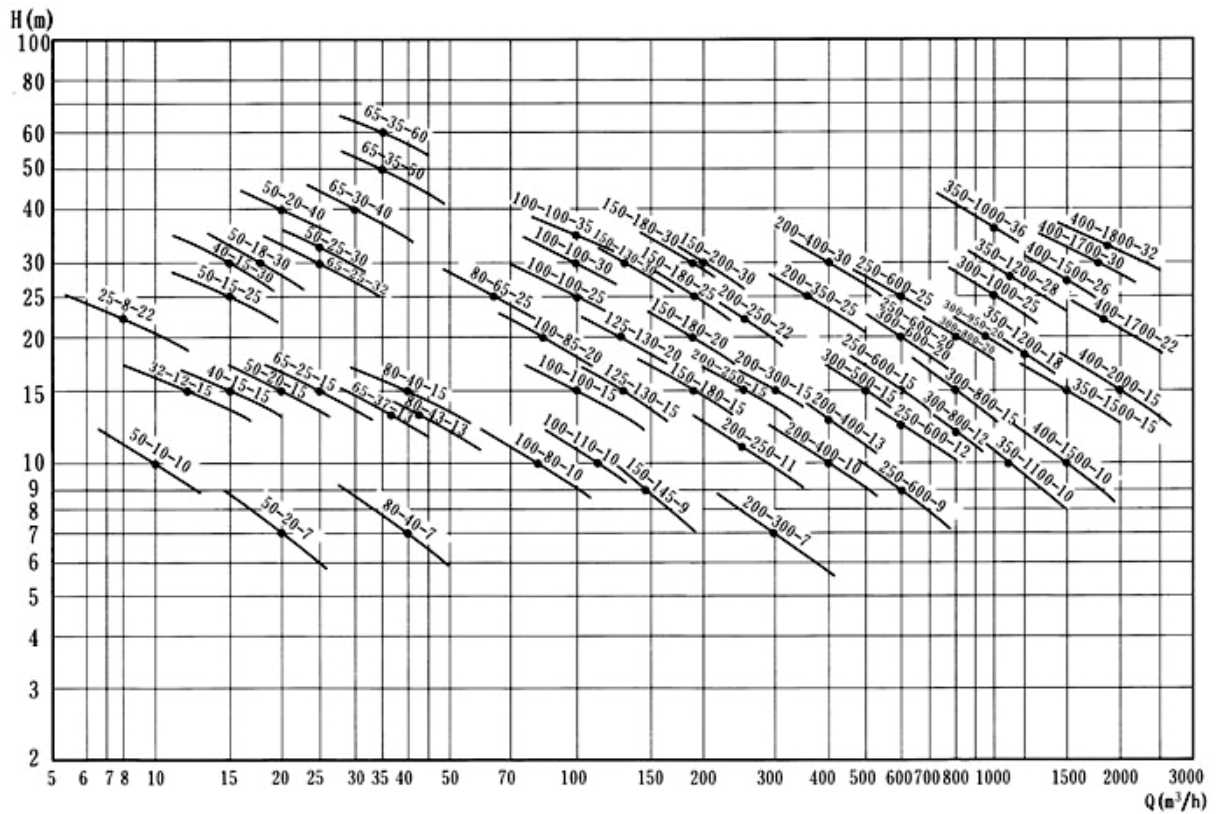
It can continuously put only the impeller into the water and put the entire motor on the water. In any case, this pump works well and is easy to repair

## Features of WQ / QW submersible sewage pump

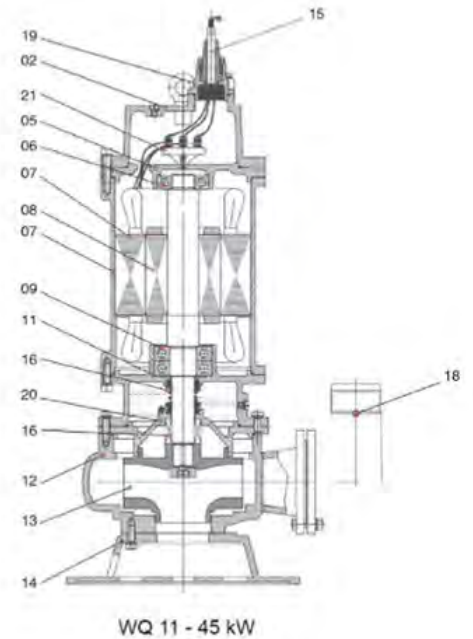
1. Compact structure, easy to move and easy to install;
2. Cyclone and double-flow impellers are especially adopted (the high-head pump adopts centrifugal type), which has strong sewage discharge capacity;
3. The motor adopts hard and corrosion-resistant single-end and double-end ceramic seals, which have good leak-proof effect, and the motor runs more safely and reliably;
4. The use of WQS cooling jacket water injection pumps can make them run above the liquid level for a short time and discharge the surface liquid

## Main Application

- Discharge heavily polluted waste from factories and businesses, sewage treatment facilities, urban wastewater treatment plants, discharge stations for aerial defense engineering, and water feed devices in tap water factories.
- Sewage water discharge from hospitals and hotels, municipal engineering buildings, exploration and mine sites, countryside biomass pools, and irrigation reservoirs.
- Safe transport of sewage with particles or clean water with corrosive mediums.



Item No.	Part Name	Material
01	Handle	Steel
02	Upper cover	Cast iron
03	Capacitor	
04	Thermal protector	
05	Upper bearing seat	Cast iron
06	Bearing	
07	Stator	
08	Rotor	
09	Bearing	
10	Motor body	Cast iron
11	Bearing seat	Cast iron
12	Pump body	Cast iron
13	Impeller	Cast iron
14	Base	Cast iron
15	Cable	
16	Mechanical seal	Sic-Sic/Carbon-Ceramic(<7.5 kW) Sic-Sic/Sic-Sic(>7.5 kW)
17	Oil seal	
18	Hose coupling	Cast iron
19	Terminal box	Cast iron
20	Seal bracket	Cast iron
21	Wiring terminal	



WQ 11 - 45 kW

**QW Submersible Sewage Pumps Performance Parameters:**

<b>Model</b>	<b>Capacity Q (m<sup>3</sup>/h)</b>	<b>Head H (m)</b>	<b>Speed n (r/min)</b>	<b>Motor Power P (kw)</b>	<b>Eff. <math>\eta</math> (%)</b>
<b>40QW</b>	8.4-14.4	14-16	2900	1.5	42-70
<b>50QW</b>	7-50.4	8-36	1450-2900	0.75-7.5	46-62
<b>65QW</b>	17.5-44.4	11-30.2	2900	2.2-4	39-72
<b>80QW</b>	20.3-72	5.7-27.5	2900	2.2-7.5	51-75
<b>100QW</b>	35-120	5.6-38.5	1450	4-15	46-80
<b>150QW</b>	49-300	5.5-44.5	1450	5.5-37	58-82
<b>200QW</b>	110-480	5.7-44.5	1450	11-75	63-83
<b>250QW</b>	420-840	7-35	980-1450	30-90	63-84.5
<b>300QW</b>	280-1140	6.7-27	980-1450	45-110	68-84.5
<b>350QW</b>	700-1800	8-40	980	45-160	68-85
<b>400QW</b>	1050-2640	12-33	980	132-160	71-85
<b>500QW</b>	1400-3600	9-22.5	980	110-200	72-85
<b>600QW</b>	2500-6000	8-25	590-740	110-315	65-78

**WQ Submersible Sewage Pump Model:**

<b>Model</b>	<b>Capacity Q (m<sup>3</sup>/h)</b>	<b>Flow (m<sup>3</sup>/h)</b>	<b>Head (m)</b>	<b>Motor (kw)</b>	<b>Speed (r/min)</b>
<b>40WQ</b>	15-1.5	15	15	1.5	2840
<b>50WQ</b>	30-3	18	30	3	2880
<b>65WQ</b>	30-4	25	30	4	2890
<b>80WQ</b>	15-4	40	15	4	2890
<b>80WQ</b>	25-7.5	65	25	7.5	2900
<b>100WQ</b>	10-4	80	10	4	1440
<b>150WQ</b>	15-15	180	15	15	1460
<b>200WQ</b>	7-11	300	7	11	970
<b>250WQ</b>	9-30	600	9	30	980
<b>300WQ</b>	12-45	800	12	45	980
<b>350WQ</b>	10-55	1100	10	55	980
<b>400WQ</b>	10-75	1500	10	75	980
<b>500WQ</b>	10-110	2500	10	110	740



Архангельск (8182)63-90-72  
Астана (7172)727-132  
Астрахань (8512)99-46-04  
Барнаул (3852)73-04-60  
Белгород (4722)40-23-64  
Брянск (4832)59-03-52  
Владивосток (423)249-28-31  
Волгоград (844)278-03-48  
Вологда (8172)26-41-59  
Воронеж (473)204-51-73  
Екатеринбург (343)384-55-89  
Иваново (4932)77-34-06

Ижевск (3412)26-03-58  
Иркутск (395)279-98-46  
Казань (843)206-01-48  
Калининград (4012)72-03-81  
Калуга (4842)92-23-67  
Кемерово (3842)65-04-62  
Киров (8332)68-02-04  
Краснодар (861)203-40-90  
Красноярск (391)204-63-61  
Курск (4712)77-13-04  
Липецк (4742)52-20-81

Киргизия (996)312-96-26-47

Магнитогорск (3519)55-03-13  
Москва (495)268-04-70  
Мурманск (8152)59-64-93  
Набережные Челны (8552)20-53-41  
Нижегород (831)429-08-12  
Новокузнецк (3843)20-46-81  
Новосибирск (383)227-86-73  
Омск (3812)21-46-40  
Орел (4862)44-53-42  
Оренбург (3532)37-68-04  
Пенза (8412)22-31-16

Россия (495)268-04-70

Пермь (342)205-81-47  
Ростов-на-Дону (863)308-18-15  
Рязань (4912)46-61-64  
Самара (846)206-03-16  
Санкт-Петербург (812)309-46-40  
Саратов (845)249-38-78  
Севастополь (8692)22-31-93  
Симферополь (3652)67-13-56  
Смоленск (4812)29-41-54  
Сочи (862)225-72-31  
Ставрополь (8652)20-65-13

Казахстан (772)734-952-31

Сургут (3462)77-98-35  
Тверь (4822)63-31-35  
Томск (3822)98-41-53  
Тула (4872)74-02-29  
Тюмень (3452)66-21-18  
Ульяновск (8422)24-23-59  
Уфа (347)229-48-12  
Хабаровск (4212)92-98-04  
Челябинск (351)202-03-61  
Череповец (8202)49-02-64  
Ярославль (4852)69-52-93