

ВЕРТИКАЛЬНЫЕ ШЛАМОВЫЕ НАСОСЫ СЕРИИ SP(R)



Архангельск (8182)63-90-72
Астана (7172)727-132
Астрахань (8512)99-46-04
Барнаул (3852)73-04-60
Белгород (4722)40-23-64
Брянск (4832)59-03-52
Владивосток (423)249-28-31
Волгоград (844)278-03-48
Вологда (8172)26-41-59
Воронеж (473)204-51-73
Екатеринбург (343)384-55-89
Иваново (4932)77-34-06

Ижевск (3412)26-03-58
Иркутск (395)279-98-46
Казань (843)206-01-48
Калининград (4012)72-03-81
Калуга (4842)92-23-67
Кемерово (3842)65-04-62
Киров (8332)68-02-04
Краснодар (861)203-40-90
Красноярск (391)204-63-61
Курск (4712)77-13-04
Липецк (4742)52-20-81

Киргизия (996)312-96-26-47

Магнитогорск (3519)55-03-13
Москва (495)268-04-70
Мурманск (8152)59-64-93
Набережные Челны (8552)20-53-41
Нижегород (831)429-08-12
Новокузнецк (3843)20-46-81
Новосибирск (383)227-86-73
Омск (3812)21-46-40
Орел (4862)44-53-42
Оренбург (3532)37-68-04
Пенза (8412)22-31-16

Россия (495)268-04-70

Пермь (342)205-81-47
Ростов-на-Дону (863)308-18-15
Рязань (4912)46-61-64
Самара (846)206-03-16
Санкт-Петербург (812)309-46-40
Саратов (845)249-38-78
Севастополь (8692)22-31-93
Симферополь (3652)67-13-56
Смоленск (4812)29-41-54
Сочи (862)225-72-31
Ставрополь (8652)20-65-13

Казахстан (772)734-952-31

Сургут (3462)77-98-35
Тверь (4822)63-31-35
Томск (3822)98-41-53
Тула (4872)74-02-29
Тюмень (3452)66-21-18
Ульяновск (8422)24-23-59
Уфа (347)229-48-12
Хабаровск (4212)92-98-04
Челябинск (351)202-03-61
Череповец (8202)49-02-64
Ярославль (4852)69-52-93

ВЕРТИКАЛЬНЫЕ ШЛАМОВЫЕ НАСОСЫ СЕРИИ SP(R)



Introduction of SP(R) vertical centrifugal slurry pump

SP (R) type sump vertical pumps are vertical centrifugal slurry pump, which equivalent with Warman SP(R). And they are designed for delivering abrasive, large particle and high density slurries . Wet parts of type SP pump are made of abrasion-resistant hard alloy. All parts of type SPR pump immersed in liquid are lined with special rubber material, which is suitable for non-edge angle abrasive slurries. The depth below the liquid surface of the pumps can be customized. The SP slurry pump is widely used in mining, power, metallurgy, coal, dredging, building materials, and other industrial lines to pump concentrate, tailings, sludge, and other abrasive and high-density slurries.

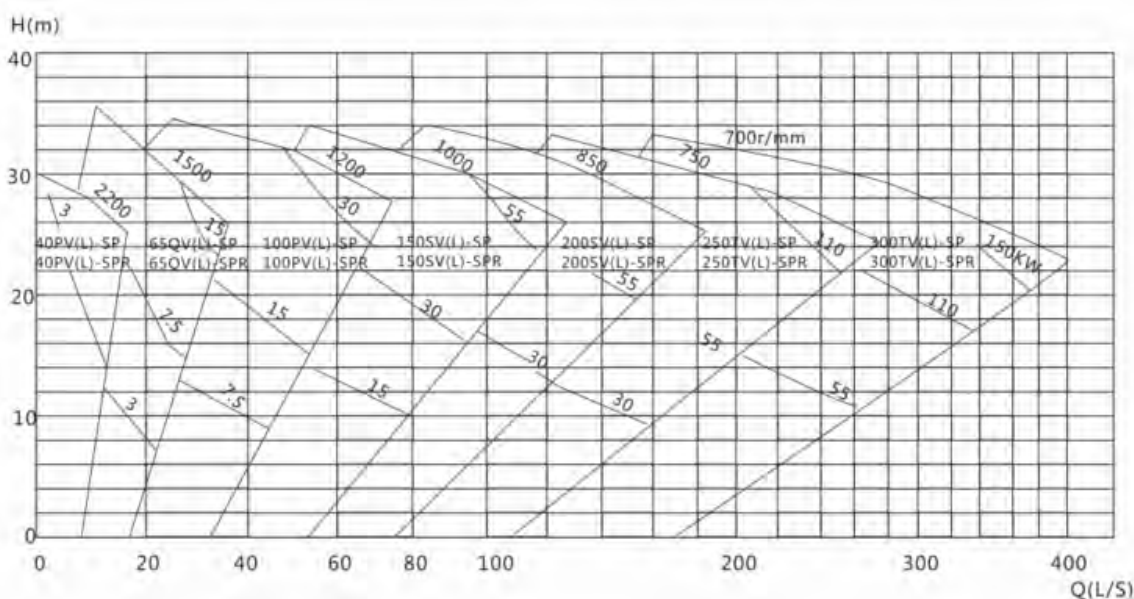
Features:

1. Use a double-suction, semi-open impeller design, using hard alloy or rubber impeller.
 2. No shaft seal requirement.
 3. The gap between the impeller and the guard can be adjusted to ensure the efficient operation of the pump.
 4. SP series pump body if made of antifriction metal, and the impeller is made of antifriction metal, rubber or polyurethane.
- The submerge part of the SPR pump is coated with rubber, to transmit the corrosive slurry.

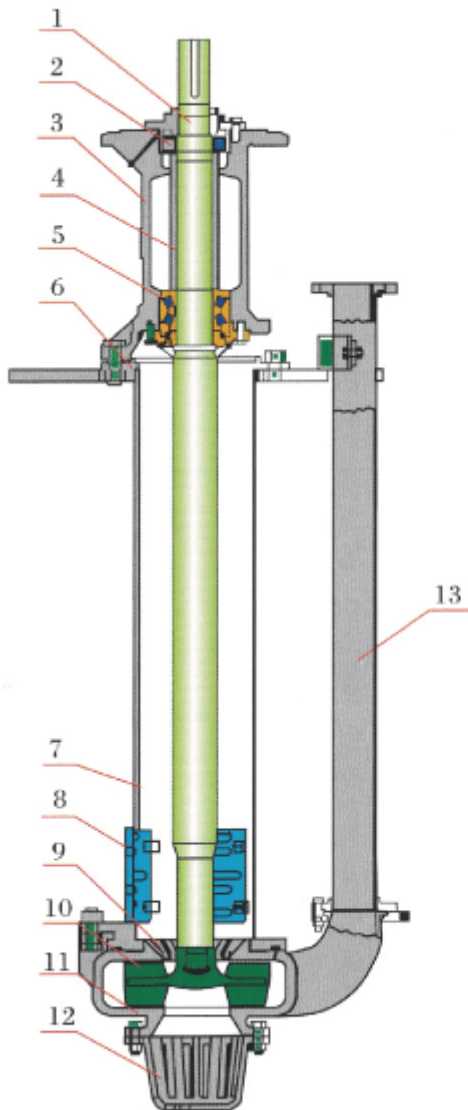
Main Application

The SP slurry pump is widely used in mining, power, metallurgy, coal, dredging, building materials, and other industrial lines to pump concentrate, tailings, sludge, and other abrasive and high-density slurries.

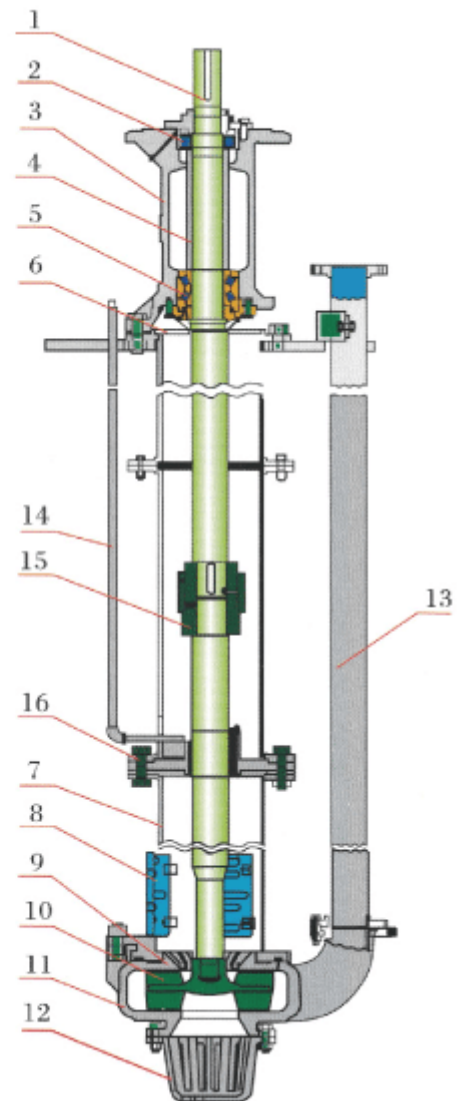
SP/SPR Slurry Pump Selection Chart



Construction



Standard Type



Extension Type

NO.	Parts Name	NO.	Parts Name
1	Shaft	9	Back Liner
2	Bearing	10	Impeller
3	Bearing Housing	11	Pump Casing
4	Bearing Spacer	12	Lower Strainer
5	Bearing	13	Discharge Pipe
6	Shim	14	Flushing Pipe
7	Column	15	Coupling Part
8	Strainer	16	Middle Support Part

SP Sump Pump Performance Chart

Pump Model	Allowable Max. Power (kw)	Capacity m ³ /h	Capacity L/S	Head H(m)	Speed n(r/min)	Max. EFF.(%)	Impeller. Dia(mm)
40PV-SP	15	19.44-43.2	5.4-1.2	4.5-28.5	1000-2200	40	188
40PV-SPR	15	17.28-39.6	4.8-11	4-26	1000-2200	40	188
60QV-SP	30	23.4-111	6.5-30.8	5-29.5	700-1500	50	280
60QV-SPR	30	22.5-105	6.25-29.15	5.5-30.5	700-1500	51	280
100RV-SP	75	54-289	15-80.3	5-35	500-1200	56	370
100RV-SPR	75	64.8-285	18-79.2	7.5-36	600-1200	62	370
150SV-SP	110	108-479.6	30-133.1	8.5-40	500-1000	52	450
200SV-SP	110	189-891	152.5-247.5	6.5-37	400-850	64	520
250TV-SP	200	261-1089	72.5-302.5	7.5-33.5	400-750	60	575
300TV-SP	200	288-1267	80-352	6.5-33	350-700	50	610



Advantages

- Over 20 years' experience in pumps.
- Various pump types.
- Wear resistant materials.
- Specialized Test Equipment.
- Large quantity spare parts.
- Anti-rust treatment casting.



Архангельск (8182)63-90-72
Астана (7172)727-132
Астрахань (8512)99-46-04
Барнаул (3852)73-04-60
Белгород (4722)40-23-64
Брянск (4832)59-03-52
Владивосток (423)249-28-31
Волгоград (844)278-03-48
Вологда (8172)26-41-59
Воронеж (473)204-51-73
Екатеринбург (343)384-55-89
Иваново (4932)77-34-06

Ижевск (3412)26-03-58
Иркутск (395)279-98-46
Казань (843)206-01-48
Калининград (4012)72-03-81
Калуга (4842)92-23-67
Кемерово (3842)65-04-62
Киров (8332)68-02-04
Краснодар (861)203-40-90
Красноярск (391)204-63-61
Курск (4712)77-13-04
Липецк (4742)52-20-81

Киргизия (996)312-96-26-47

Магнитогорск (3519)55-03-13
Москва (495)268-04-70
Мурманск (8152)59-64-93
Набережные Челны (8552)20-53-41
Нижний Новгород (831)429-08-12
Новокузнецк (3843)20-46-81
Новосибирск (383)227-86-73
Омск (3812)21-46-40
Орел (4862)44-53-42
Оренбург (3532)37-68-04
Пенза (8412)22-31-16

Россия (495)268-04-70

Пермь (342)205-81-47
Ростов-на-Дону (863)308-18-15
Рязань (4912)46-61-64
Самара (846)206-03-16
Санкт-Петербург (812)309-46-40
Саратов (845)249-38-78
Севастополь (8692)22-31-93
Симферополь (3652)67-13-56
Смоленск (4812)29-41-54
Сочи (862)225-72-31
Ставрополь (8652)20-65-13

Казахстан (772)734-952-31

Сургут (3462)77-98-35
Тверь (4822)63-31-35
Томск (3822)98-41-53
Тула (4872)74-02-29
Тюмень (3452)66-21-18
Ульяновск (8422)24-23-59
Уфа (347)229-48-12
Хабаровск (4212)92-98-04
Челябинск (351)202-03-61
Череповец (8202)49-02-64
Ярославль (4852)69-52-93