

ГОРИЗОНТАЛЬНЫЕ ШЛАМОВЫЕ НАСОСЫ СЕРИИ ZGB(P)



Архангельск (8182)63-90-72
Астана (7172)727-132
Астрахань (8512)99-46-04
Барнаул (3852)73-04-60
Белгород (4722)40-23-64
Брянск (4832)59-03-52
Владивосток (423)249-28-31
Волгоград (844)278-03-48
Вологда (8172)26-41-59
Воронеж (473)204-51-73
Екатеринбург (343)384-55-89
Иваново (4932)77-34-06

Ижевск (3412)26-03-58
Иркутск (395)279-98-46
Казань (843)206-01-48
Калининград (4012)72-03-81
Калуга (4842)92-23-67
Кемерово (3842)65-04-62
Киров (8332)68-02-04
Краснодар (861)203-40-90
Красноярск (391)204-63-61
Курск (4712)77-13-04
Липецк (4742)52-20-81

Киргизия (996)312-96-26-47

Магнитогорск (3519)55-03-13
Москва (495)268-04-70
Мурманск (8152)59-64-93
Набережные Челны (8552)20-53-41
Нижний Новгород (831)429-08-12
Новокузнецк (3843)20-46-81
Новосибирск (383)227-86-73
Омск (3812)21-46-40
Орел (4862)44-53-42
Оренбург (3532)37-68-04
Пенза (8412)22-31-16

Россия (495)268-04-70

Пермь (342)205-81-47
Ростов-на-Дону (863)308-18-15
Рязань (4912)46-61-64
Самара (846)206-03-16
Санкт-Петербург (812)309-46-40
Саратов (845)249-38-78
Севастополь (8692)22-31-93
Симферополь (3652)67-13-56
Смоленск (4812)29-41-54
Сочи (862)225-72-31
Ставрополь (8652)20-65-13

Казахстан (772)734-952-31

Сургут (3462)77-98-35
Тверь (4822)63-31-35
Томск (3822)98-41-53
Тула (4872)74-02-29
Тюмень (3452)66-21-18
Ульяновск (8422)24-23-59
Уфа (347)229-48-12
Хабаровск (4212)92-98-04
Челябинск (351)202-03-61
Череповец (8202)49-02-64
Ярославль (4852)69-52-93

ГОРИЗОНТАЛЬНЫЕ ШЛАМОВЫЕ НАСОСЫ СЕРИИ ZGB(P)



Introduction of ZGB(P) series heavy duty slurry pump

ZGB(P) slurry pumps is horizontal cantilever single-stage, single-suction, double-case and high head of delivery centrifugal slurry pump.

It is fit for transmission corrosive and abrasion slurry .it can used in metallurgy, mine, chemical industry, coal, electric power, building materials and so on. Especially the transmission of electric power plant ash.

The series of pump has the advantages of reasonable construction, high efficiency, reliable operation and easy maintenance.

Features:

1. Pump head-Double-case pump is vertical split, the discharge can be installed at 8 different positions with an interval of 45 degree.
2. Wide passage, non-clogging and good performance of NPSH;
3. Expeller seal combined with packing seal and mechanical seal have be adopted to guarantee the slurry from leakage;
4. The metric bearing with oil lubrication, reasonable lubrication and cooling systems ensure the bearing to be operated under the low temperature;
5. The materials of wet parts have the good performance of anti-wearing and anti-corrosion;
6. The pump can be used for seawater ash-removing to prevent it from the corrosion of seawater, salt and mist, and electrochemical corrosion;
7. The pump can be operated in series with multi-stage within permissible pressure. The permissible maximum working pressure is 3.6MPa.

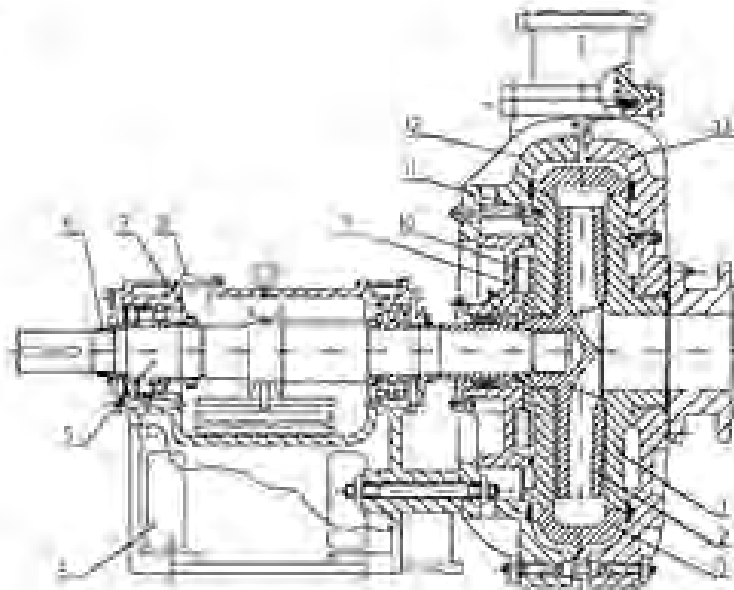
Working Conditions

ZGB Pump has wide performance range, high efficiency, good cavitation performance. The multistage tandem technology can be used to meet the long-distance transport. Several metal Flow components are available for chose, and increase the depth. Use a variety of speed and multiple variant, the pump in the optimum mining operation. Long service life, high operating efficiency, can satisfy many kinds of poor transport conditions.

Main Uses

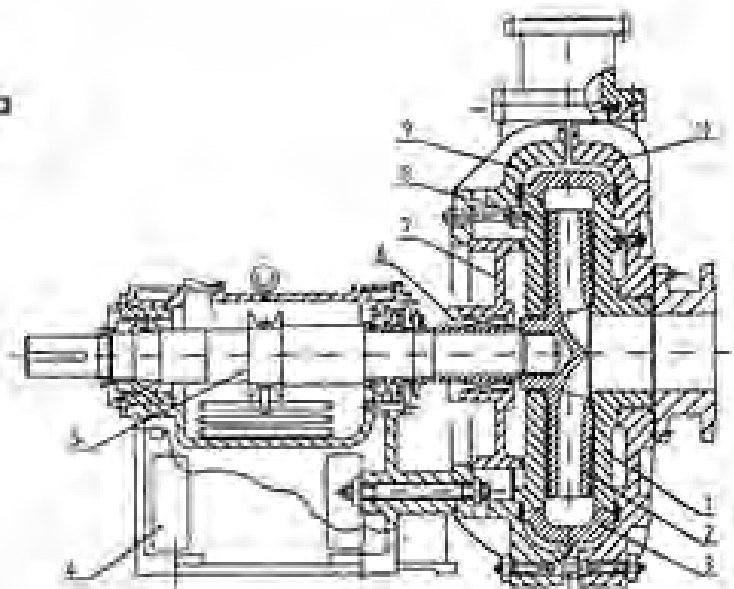
The series slurry pump product has the advantages of reasonable structure, high efficiency, reliable operation and convenient repair. The series slurry pump is widely used in electric power, metallurgy, mining, coal, building materials, chemicals and other industrial sectors for conveying abrasive or corrosive slurry, especially power plant ash.

Type ZGB Slurry Pump



- | | | |
|-----------------------|-----------------------|-----------------------|
| 1. FRONT LINER INSERT | 5. ADJUSTING SCREW(B) | 10. EXPELLER |
| 2. IMPELLER | 7. ADJUSTING SCREW(A) | 11. BACK LINER INSERT |
| 3. VOLUTE | 8. ADJUSTING COVER | 12. PUMP BODY |
| 4. FRAME BODY | 9. EXPELLER RING | 13. PUMP COVER |
| 5. SHAFT | | |

Type ZGBP Slurry Pump



- | | | |
|-----------------------|--------------------|----------------------|
| 1. FRONT LINER INSERT | 5. SHAFT | 8. BACK LINER INSERT |
| 2. IMPELLER | 6. MECHANICAL SEAL | 9. PUMP BODY |
| 3. VOLUTE | 7. SEALING BOX | 10. PUMP COVER |
| 4. FRAME BODY | | |

Technical Parameters

Pump Model	Speed n (r/min)	Capacity Q (l/s)	Head H (m)	Max. Eff. (%)	NPSH (m)	Shaft Power (kw)	Impeller Dia (mm)	Pump Weight (kg)	Outlet Dia./Inlet Dia. (mm)
65ZGB(P)	1480	31.7-15.8	58-61	62.5-47.4	4.5-3.0	28.8-19.9	390	1850	65 / 80
	980	21.0-10.5	25.4-26.7	62.5-47.4	2.0-1.3	8.37-5.8			
80ZGB(P)	980	52.0-26.0	73.7-77.1	66.1-48.7	4.4-2.3	56.8-40.4	445	2500	80 / 100
	740	34.4-17.2	32.3-33.8	66.1-48.7	1.9-1.0	16.5-11.7	400		
	980	46.8-23.3	59.5-62.3	66.1-48.7	3.5-1.8	41.3-29.2			
	740	31.0-15.4	26.1-27.3	66.1-48.7	1.5-0.8	12.0-8.4			
100ZGB(P)	1480	105-52.5	68.9-78.4	77.9-57.4	4.9-2.1	91.0-66.7	450	3000	100 / 152
	980	69.5-34.8	30.2-32.6	77.9-57.4	2.1-1.1	26.4-19.4	400		
	1480	93.4-46.7	54.5-58.8	77.9-57.4	3.8-1.7	64.0-46.9			
	980	61.8-30.9	23.9-25.8	77.9-57.4	1.7-0.8	18.6-13.6			
150ZGB(P)	980	182.4-91.2	73.0-77.1	77.7-53.3	3.3-2.3	168.0-129.3	685	3450	150 / 200
	740	140.0-70.2	41.6-44.0	77.7-53.3	1.9-1.3	74.2-56.8	630		
	980	169.2-84.6	61.8-65.2	77.7-53.3	2.8-1.1	131.9-101.5			
	740	129.6-64.8	35.2-37.2	77.7-53.3	1.6-0.6	57.6-44.3			
200ZGB(P)	980	300.0-150.0	89.0-94.2	76.3-63.2	6.7-2.7	342.9-219.1	740	4000	200 / 250
	740	226.5-113.3	50.7-53.7	76.3-63.2	3.8-1.5	147.5-97.3	700		
	980	283.8-141.9	79.6-84.3	76.3-63.2	6.0-2.4	290.2-185.8			
	740	214.3-107.1	45.4-48.1	76.3-63.2	3.4-1.4	125.0-80.0	640		
	980	259.5-129.7	66.6-70.5	76.3-63.2	5.0-2.0	222.0-141.8			
	740	195.9-97.9	38.0-40.2	76.3-63.2	2.9-1.1	95.6-61.0			
250ZGB(P)	980	400.0-200.0	84.0-90.1	78.2-63.2	7.3-3.3	421.2-275.6	740	4500	250 / 300
	740	302.0-151.0	47.9-51.4	78.2-63.2	4.2-1.9	181.4-118.7	700		
	980	378.4-189.2	75.2-80.6	78.2-63.2	7.1-3.0	356.7-233.2			
	740	285.7-142.9	42.9-46.0	78.2-63.2	4.0-1.7	153.7-100.5	645		
	980	348.6-131.6	63.8-68.5	78.2-63.2	5.5-2.5	278.8-137.9			
	740	263.2-99.4	36.4-39.1	78.2-63.2	3.1-1.4	120.1-59.4			



Архангельск (8182)63-90-72
Астана (7172)727-132
Астрахань (8512)99-46-04
Барнаул (3852)73-04-60
Белгород (4722)40-23-64
Брянск (4832)59-03-52
Владивосток (423)249-28-31
Волгоград (844)278-03-48
Вологда (8172)26-41-59
Воронеж (473)204-51-73
Екатеринбург (343)384-55-89
Иваново (4932)77-34-06

Ижевск (3412)26-03-58
Иркутск (395)279-98-46
Казань (843)206-01-48
Калининград (4012)72-03-81
Калуга (4842)92-23-67
Кемерово (3842)65-04-62
Киров (8332)68-02-04
Краснодар (861)203-40-90
Красноярск (391)204-63-61
Курск (4712)77-13-04
Липецк (4742)52-20-81

Киргизия (996)312-96-26-47

Магнитогорск (3519)55-03-13
Москва (495)268-04-70
Мурманск (8152)59-64-93
Набережные Челны (8552)20-53-41
Нижний Новгород (831)429-08-12
Новокузнецк (3843)20-46-81
Новосибирск (383)227-86-73
Омск (3812)21-46-40
Орел (4862)44-53-42
Оренбург (3532)37-68-04
Пенза (8412)22-31-16

Россия (495)268-04-70

Пермь (342)205-81-47
Ростов-на-Дону (863)308-18-15
Рязань (4912)46-61-64
Самара (846)206-03-16
Санкт-Петербург (812)309-46-40
Саратов (845)249-38-78
Севастополь (8692)22-31-93
Симферополь (3652)67-13-56
Смоленск (4812)29-41-54
Сочи (862)225-72-31
Ставрополь (8652)20-65-13

Казахстан (772)734-952-31

Сургут (3462)77-98-35
Тверь (4822)63-31-35
Томск (3822)98-41-53
Тула (4872)74-02-29
Тюмень (3452)66-21-18
Ульяновск (8422)24-23-59
Уфа (347)229-48-12
Хабаровск (4212)92-98-04
Челябинск (351)202-03-61
Череповец (8202)49-02-64
Ярославль (4852)69-52-93