

# ВЕРТИКАЛЬНЫЕ ШЛАМОВЫЕ НАСОСЫ СЕРИИ ZJL



Архангельск (8182)63-90-72  
Астана (7172)727-132  
Астрахань (8512)99-46-04  
Барнаул (3852)73-04-60  
Белгород (4722)40-23-64  
Брянск (4832)59-03-52  
Владивосток (423)249-28-31  
Волгоград (844)278-03-48  
Вологда (8172)26-41-59  
Воронеж (473)204-51-73  
Екатеринбург (343)384-55-89  
Иваново (4932)77-34-06

Ижевск (3412)26-03-58  
Иркутск (395)279-98-46  
Казань (843)206-01-48  
Калининград (4012)72-03-81  
Калуга (4842)92-23-67  
Кемерово (3842)65-04-62  
Киров (8332)68-02-04  
Краснодар (861)203-40-90  
Красноярск (391)204-63-61  
Курск (4712)77-13-04  
Липецк (4742)52-20-81

Киргизия (996)312-96-26-47

Магнитогорск (3519)55-03-13  
Москва (495)268-04-70  
Мурманск (8152)59-64-93  
Набережные Челны (8552)20-53-41  
Нижний Новгород (831)429-08-12  
Новокузнецк (3843)20-46-81  
Новосибирск (383)227-86-73  
Омск (3812)21-46-40  
Орел (4862)44-53-42  
Оренбург (3532)37-68-04  
Пенза (8412)22-31-16

Россия (495)268-04-70

Пермь (342)205-81-47  
Ростов-на-Дону (863)308-18-15  
Рязань (4912)46-61-64  
Самара (846)206-03-16  
Санкт-Петербург (812)309-46-40  
Саратов (845)249-38-78  
Севастополь (8692)22-31-93  
Симферополь (3652)67-13-56  
Смоленск (4812)29-41-54  
Сочи (862)225-72-31  
Ставрополь (8652)20-65-13

Казахстан (772)734-952-31

Сургут (3462)77-98-35  
Тверь (4822)63-31-35  
Томск (3822)98-41-53  
Тула (4872)74-02-29  
Тюмень (3452)66-21-18  
Ульяновск (8422)24-23-59  
Уфа (347)229-48-12  
Хабаровск (4212)92-98-04  
Челябинск (351)202-03-61  
Череповец (8202)49-02-64  
Ярославль (4852)69-52-93

# ВЕРТИКАЛЬНЫЕ ШЛАМОВЫЕ НАСОСЫ СЕРИИ ZJL



## Introduction of ZJL series vertical slurry pump

ZJL series slurry pump are vertical, centrifugal slurry pumps, designed for handling abrasive and corrosive slurries whilst submerged in sumps or pit. It is used mainly for handling corrosive media, coarse particles and high-density slurries, and are widely used in sewage treatment, metallurgy, mining, mineral processing, dredging, dewatering, water treatment, coal washing, mill, cyclone feed, tailing, power, building materials, and on various industrial sites.

## Features:

- 1.Pump- vertical cantilever, single casing, single suction sump pump
- 2.Impeller- half open impeller design, materials are high chrome alloy or natural rubber, anti-abrasive, wear resistant and corrosion resistance. The gap between impeller and the frame plate can be adjusted to ensure the efficient operation of the pump.
- 3.Bearing assembly- barrel bearing assembly, high capacity bearing design, and bearing adopts grease lubrication.
- 4.Shaft seal- no shaft seal.
- 5.Drive arrangements – direct drive, V-belt drive.

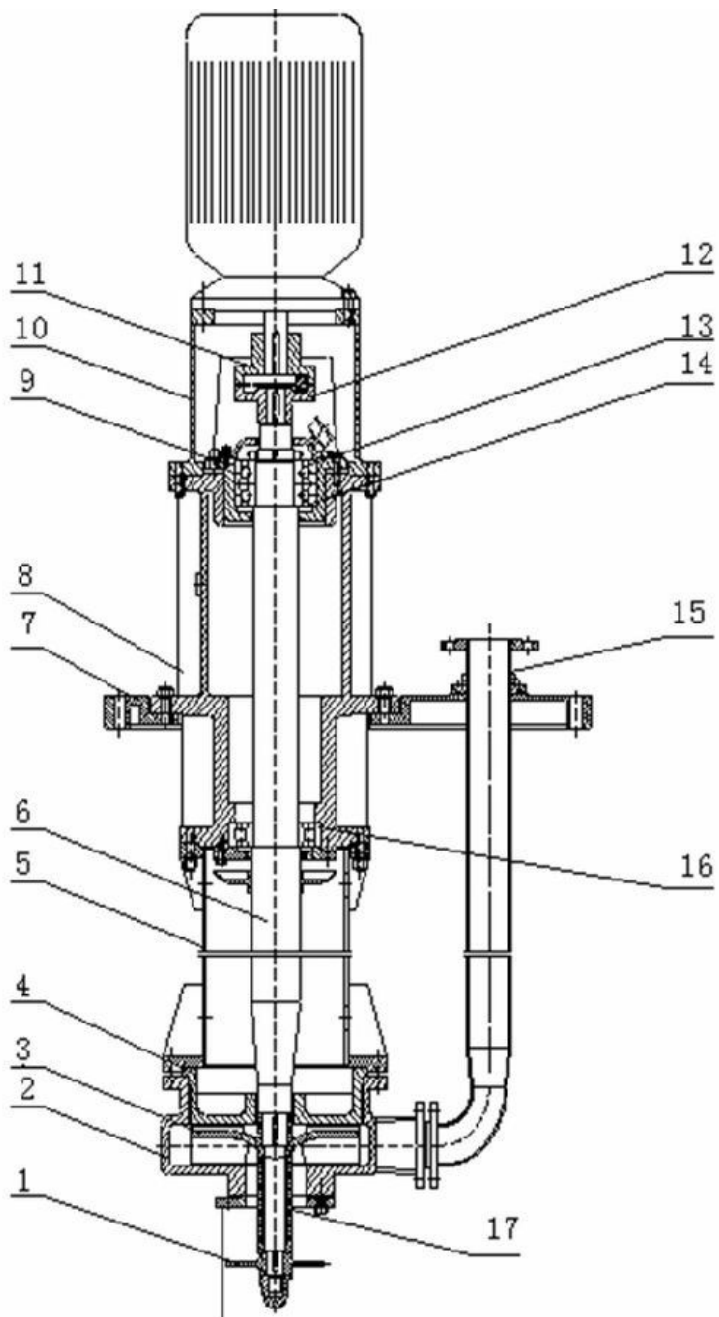
## Main Application

This vertical mining pump model is used mainly for handling corrosive media, coarse particles and high-density slurries, and are widely used in sewage treatment, metallurgy, mining, mineral processing, dredging, dewatering, water treatment, coal washing, mill, cyclone feed, tailing, power, building materials, and on various industrial sites.

## Structure

- Single casing structure, casing is connected to the connecting pipe, and connecting pipe is connected to the bearing housing, and bearing housing is connected to the baseplate.
- Cylinder type bearing housing with rolling bearings.
- Restrictor seal without external flushing water.
- Transmission: Direct coupled, variable frequency drive.

Structure drawing is as below



- |                    |                    |                      |
|--------------------|--------------------|----------------------|
| 1. Stirring wheel  | 7. Base plate      | 13. Bearing          |
| 2. Pump casing     | 8. Bearing base    | 14. Bearing          |
| 3. Impeller        | 9. Bearing box     | 15. Discharge pipe   |
| 4. Back plate      | 10. Motor base     | 16. Bearing          |
| 5. Connecting pipe | 11. Motor coupling | 17. Impeller bushing |
| 6. Shaft           | 12. Pump coupling  |                      |

## Technical Specifications

### Performance and Main Technical Datas of ZJL Slurry Pumps

Type	Allowable max. power of ass. motor (kW)	Clear water performance				Particle max. Size handled occasionally (mm)	Pump weight (kg)
		Q Capacity (m <sup>3</sup> /h)	H Head (m)	n Speed (r/min)	Max. eff. (%)		
<b>150ZJL-B55B</b>	110	128.5-479.1	10.0-49.3	490-980	59.8	50	2112
<b>150ZJL-A35</b>	37	99-364	3.0-17.9	490-980	69.0	15	800
<b>100ZJL-A34</b>	45	74-293	5.5-36.8	700-1480	65.8	14	630
<b>80ZJL-A36</b>	45	50-201	7.3-45.5	700-1480	58.2	12	650
<b>80ZJL-A36B</b>	45	51.1-220.5	6.4-44.9	700-1480	54.1	15	650
<b>65ZJL-A30</b>	18.5	18-98	5.9-34.7	700-1470	53.7	8	440
<b>65ZJL-A30B</b>	22	27.9-105.8	7.1-34.4	700-1470	60.9	10	440
<b>65ZJL-B30J</b>	15	18.9-84.2	5.8-32.3	700-1470	49.1	8	440
<b>50ZJL-A45B</b>	55	22.9-107.4	11.4-74.0	700-1470	39.1	25	1106
<b>50ZJL-B40</b>	30	15-65	8.6-58.3	700-1470	34.1	9	540
<b>50ZJL-A35</b>	22	19-86	7.3-47.1	700-1470	48.1	15	500
<b>50ZJL-A35B</b>	22	17.1-73	8.0-46.5	700-1470	45.1	20	500
<b>50ZJL-A20</b>	4	8-38	1.4-10.7	700-1470	38.6	10	240
<b>50ZJL-A20J</b>	30	18-70	5.6-46.2	1440-2950	33.8	22	570
<b>40ZJL-A35</b>	18.5	9.4-47.6	8.1-48.0	700-1470	38.7	7	500
<b>40ZJL-B25</b>	4	4.9-22.9	4.0-21.5	700-1440	37.6	8	225
<b>40ZJL-B25B</b>	5.5	4.9-24.2	3.5-19.1	700-1440	30.4	8	225
<b>40ZJL-A21</b>	4	4.6-25.9	3.3-17.0	700-1440	44.6	10	210
<b>40ZJL-A21B</b>	4	5.8-25.2	2.5-14.6	700-1440	36.6	10	210



Архангельск (8182)63-90-72  
Астана (7172)727-132  
Астрахань (8512)99-46-04  
Барнаул (3852)73-04-60  
Белгород (4722)40-23-64  
Брянск (4832)59-03-52  
Владивосток (423)249-28-31  
Волгоград (844)278-03-48  
Вологда (8172)26-41-59  
Воронеж (473)204-51-73  
Екатеринбург (343)384-55-89  
Иваново (4932)77-34-06

Ижевск (3412)26-03-58  
Иркутск (395)279-98-46  
Казань (843)206-01-48  
Калининград (4012)72-03-81  
Калуга (4842)92-23-67  
Кемерово (3842)65-04-62  
Киров (8332)68-02-04  
Краснодар (861)203-40-90  
Красноярск (391)204-63-61  
Курск (4712)77-13-04  
Липецк (4742)52-20-81

Киргизия (996)312-96-26-47

Магнитогорск (3519)55-03-13  
Москва (495)268-04-70  
Мурманск (8152)59-64-93  
Набережные Челны (8552)20-53-41  
Нижегород (831)429-08-12  
Новокузнецк (3843)20-46-81  
Новосибирск (383)227-86-73  
Омск (3812)21-46-40  
Орел (4862)44-53-42  
Оренбург (3532)37-68-04  
Пенза (8412)22-31-16

Россия (495)268-04-70

Пермь (342)205-81-47  
Ростов-на-Дону (863)308-18-15  
Рязань (4912)46-61-64  
Самара (846)206-03-16  
Санкт-Петербург (812)309-46-40  
Саратов (845)249-38-78  
Севастополь (8692)22-31-93  
Симферополь (3652)67-13-56  
Смоленск (4812)29-41-54  
Сочи (862)225-72-31  
Ставрополь (8652)20-65-13

Казахстан (772)734-952-31

Сургут (3462)77-98-35  
Тверь (4822)63-31-35  
Томск (3822)98-41-53  
Тула (4872)74-02-29  
Тюмень (3452)66-21-18  
Ульяновск (8422)24-23-59  
Уфа (347)229-48-12  
Хабаровск (4212)92-98-04  
Челябинск (351)202-03-61  
Череповец (8202)49-02-64  
Ярославль (4852)69-52-93